

EA948C-101~148
(オネジクランプバー)

- クランピングポジションを変えずに、位置を安全で便利な方向に調整できます。
- 狭い場所でもレバーをセットできますので、取付けスペースの節約になります。
- レバー 材質 亜鉛ダイキャスト
 カラー シルバー
 ネジ部 スチール(黒染め)



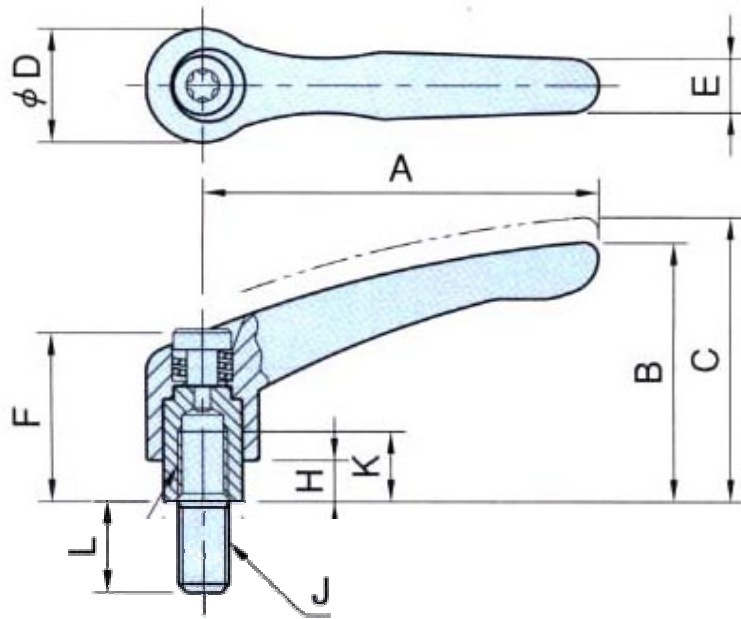
レバーを引き上げると、かみ合っていたレバーとねじ部のセレーションが外れます。



レバーのみがフリーになりますのでお望みの位置まで回してください。



手を離すと内蔵スプリングの力でレバーが戻りクランプ出来る状態になります。
 (歯数20の場合、計算式 $360^\circ / 20 = 18^\circ$
 18° 毎にセレーションがかみ合います)



	歯数	A	B	C	D	E	F	G	H	J	K	L	重量(g)
C-101	16	40	31	34	14	7	24.5	10	4	M5X0.8	9	10	40
C-102	"	"	"	"	"	"	"	"	"	"	"	15	41
C-103	"	"	"	"	"	"	"	"	"	"	"	20	42
C-104	"	"	"	"	"	"	"	"	"	"	"	25	43
C-105	"	"	"	"	"	"	"	"	"	"	"	30	45
C-106	"	"	"	"	"	"	"	"	"	"	"	40	47
C-107	"	"	"	"	"	"	"	"	"	"	"	50	49

(単位mm)

	歯数	A	B	C	D	E	F	G	H	J	K	L	重量(g)
C-111	16	40	31	34	14	7	24.5	10	4	M6X1	9	10	40
C-112	"	"	"	"	"	"	"	"	"	"	"	15	41
C-113	"	"	"	"	"	"	"	"	"	"	"	20	42
C-114	"	"	"	"	"	"	"	"	"	"	"	25	43
C-115	"	"	"	"	"	"	"	"	"	"	"	30	45
C-116	"	"	"	"	"	"	"	"	"	"	"	40	47
C-117	"	"	"	"	"	"	"	"	"	"	"	50	49

(単位mm)

	歯数	A	B	C	D	E	F	G	H	J	K	L	重量(g)
C-121	20	65	42.5	45.5	19	9.5	28.5	13.5	6.5	M8X1.25	12	15	100
C-122	"	"	"	"	"	"	"	"	"	"	"	20	101
C-123	"	"	"	"	"	"	"	"	"	"	"	25	102
C-124	"	"	"	"	"	"	"	"	"	"	"	30	103
C-125	"	"	"	"	"	"	"	"	"	"	"	40	110
C-126	"	"	"	"	"	"	"	"	"	"	"	50	115
C-127	"	"	"	"	"	"	"	"	"	"	"	60	120

(単位mm)

	歯数	A	B	C	D	E	F	G	H	J	K	L	重量(g)
C-131	22	80	54.5	58.5	22	11	37	16	10	M10X1.5	14	20	150
C-132	"	"	"	"	"	"	"	"	"	"	"	25	153
C-133	"	"	"	"	"	"	"	"	"	"	"	30	157
C-134	"	"	"	"	"	"	"	"	"	"	"	40	162
C-135	"	"	"	"	"	"	"	"	"	"	"	50	170
C-136	"	"	"	"	"	"	"	"	"	"	"	60	170

(単位mm)

	歯数	A	B	C	D	E	F	G	H	J	K	L	重量(g)
C-141	24	95	63	67.5	27.5	13	43	19	10	M12X1.75	17	25	235
C-142	"	"	"	"	"	"	"	"	"	"	"	30	240
C-143	"	"	"	"	"	"	"	"	"	"	"	40	246
C-144	"	"	"	"	"	"	"	"	"	"	"	50	252
C-145	"	"	"	"	"	"	"	"	"	"	"	60	260
C-146	"	"	"	"	"	"	"	"	"	"	"	70	270
C-147	"	"	"	"	"	"	"	"	"	"	"	80	280
C-148	"	"	"	"	"	"	"	"	"	"	"	90	290

(単位mm)