

EA949HS-91~HS-123、HS-131~HS-161 【丸形】防振ゴム



EA949HS-91~123



EA949HS-131~161

ゴム材質は天然ゴム配合硬さ60です。

特長

- 1.構造が簡単であり、取付も容易です。
- 2.片側がナット埋め込みになっていますので、取付ボルトのスペースを小さくできます。
- 3.取付方向によって、圧縮方向、せん断方向のほか傾斜方向にも使用でき、広い応用性をもっています。

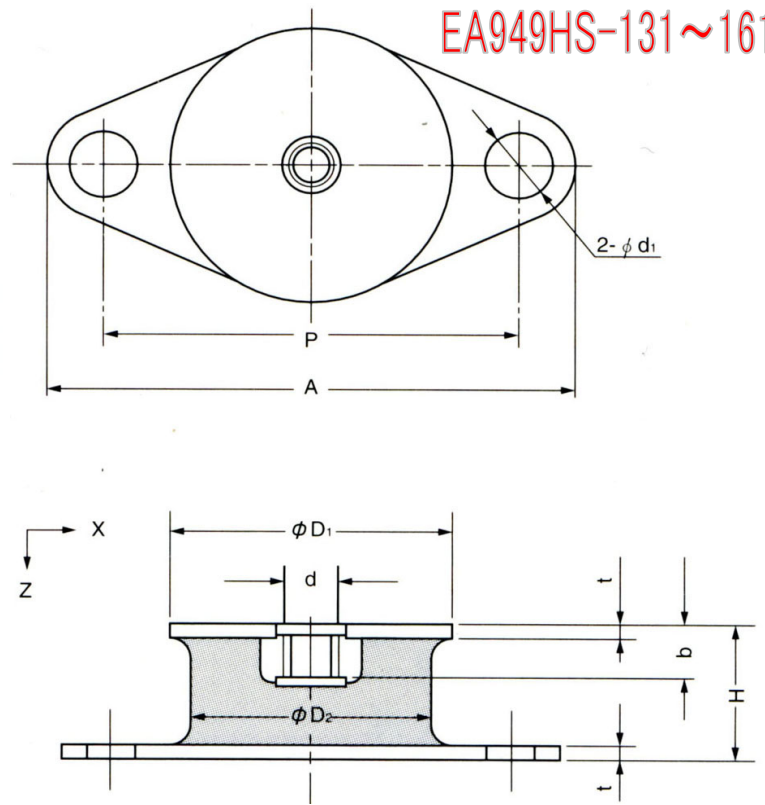
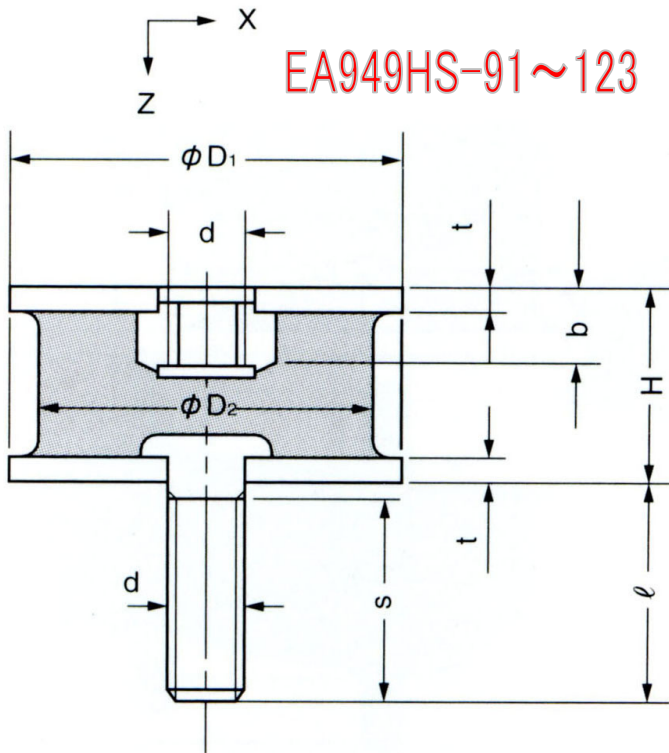
用途

ポンプ・送風機・エンジン・発電機・電動機・圧縮機・など広範囲

| 品番 | | Z方向支持荷重 | 許容荷重 N[kgf] | | Z方向ばね定数 Kz | 剛性比 Kx/Kz |
|--------|--------|----------------|--------------|------------|--------------|--------------|
| | | N[kgf] | Z方向 | X方向 | N/mm[kgf/cm] | |
| HS-91 | - | ~ 78 {8} | 110 {11} | 25 {2.5} | 62 {63} | 0.20 |
| HS-92 | - | ~ 130 {13} | 160 {16} | 34 {3.5} | 110 {110} | 0.24 |
| HS-93 | HS-131 | ~ 160 {16} | 280 {29} | 69 {7} | 180 {180} | 0.18 |
| HS-94 | HS-132 | ~ 98 {10} | 180 {18} | 49 {5} | 88 {90} | 0.22 |
| HS-95 | HS-133 | ~ 280 {29} | 580 {59} | 98 {10} | 220 {220} | 0.19 |
| HS-96 | HS-134 | ~ 160 {16} | 310 {32} | 59 {6} | 110 {110} | 0.22 |
| HS-97 | HS-135 | ~ 830 {85} | 1700 {170} | 250 {25} | 610 {620} | 0.15 |
| HS-98 | HS-136 | ~ 370 {38} | 760 {77} | 150 {15} | 180 {180} | 0.22 |
| HS-99 | HS-137 | ~ 550 {56} | 1100 {110} | 260 {27} | 250 {260} | 0.24 |
| HS-100 | HS-138 | ~ 450 {46} | 890 {91} | 210 {21} | 150 {150} | 0.23 |
| HS-101 | HS-139 | ~ 700 {71} | 1420 {145} | 320 {33} | 340 {350} | 0.23 |
| HS-102 | HS-140 | ~ 560 {57} | 1100 {114} | 260 {27} | 200 {200} | 0.24 |
| HS-103 | HS-141 | ~ 830 {85} | 1700 {170} | 290 {30} | 300 {310} | 0.24 |
| HS-104 | HS-142 | ~ 690 {70} | 1400 {140} | 250 {25} | 190 {190} | 0.20 |
| HS-105 | HS-143 | ~ 1370 {140} | 2700 {280} | 470 {48} | 670 {680} | 0.17 |
| HS-106 | HS-144 | ~ 880 {90} | 1800 {180} | 390 {40} | 270 {280} | 0.22 |
| HS-107 | HS-145 | ~ 1300 {130} | 2500 {260} | 440 {45} | 340 {350} | 0.23 |
| HS-108 | HS-146 | ~ 1100 {110} | 2300 {230} | 390 {40} | 240 {240} | 0.21 |
| HS-109 | HS-147 | ~ 2060 {210} | 4200 {425} | 780 {80} | 883 {900} | 0.19 |
| HS-110 | HS-148 | ~ 1670 {170} | 3300 {340} | 690 {70} | 600 {610} | 0.21 |
| HS-111 | HS-149 | ~ 1300 {130} | 2500 {260} | 540 {55} | 250 {250} | 0.21 |
| HS-112 | HS-150 | ~ 2300 {230} | 4400 {450} | 640 {65} | 860 {880} | 0.20 |
| HS-113 | HS-151 | ~ 1800 {180} | 3500 {360} | 540 {55} | 410 {420} | 0.21 |
| HS-114 | HS-152 | ~ 2900 {300} | 5900 {600} | 880 {90} | 960 {980} | 0.21 |
| HS-115 | HS-153 | ~ 2300 {230} | 4500 {460} | 740 {75} | 450 {460} | 0.22 |
| HS-116 | HS-154 | ~ 3240 {330} | 6500 {660} | 1200 {120} | 1040 {1060} | 0.18 |
| HS-117 | HS-155 | ~ 2600 {270} | 5300 {540} | 1200 {125} | 580 {590} | 0.23 |
| HS-118 | HS-156 | ~ 3900 {400} | 7800 {800} | 1300 {130} | 1030 {1050} | 0.20 |
| HS-119 | HS-157 | ~ 2900 {300} | 5900 {600} | 1200 {120} | 510 {520} | 0.22 |
| HS-120 | HS-158 | ~ 5900 {600} | 11800 {1200} | 2400 {240} | 1440 {1470} | 0.20 |
| HS-121 | HS-159 | ~ 3580 {365} | 7200 {730} | 1720 {175} | 800 {820} | 0.21 |
| HS-122 | HS-160 | ~ 7940 {810} | 16000 {1630} | 2840 {290} | 1810 {1850} | 0.18 |
| HS-123 | HS-161 | ~ 12700 {1300} | 25500 {2600} | 5100 {520} | 4060 {4140} | 0.16 |

EA949HS-91~123

EA949HS-131~161



| 品番(A) | 品番(B) | 標準寸法 mm | | | | | | | | | | | 重量(A)g | 重量(B)g |
|--------|--------|---------|-----|----|-----|-----|----|----|------|-----|-----|------|--------|--------|
| | | D1 | D2 | H | t | d | ℓ | s | b | A | P | d1 | | |
| HS-91 | - | 12 | 10 | 16 | 2 | M5 | 12 | 11 | 4.5 | - | - | - | 9 | - |
| HS-92 | - | 15 | 12 | 15 | 2 | M5 | 15 | 12 | 4.5 | - | - | - | 15 | - |
| HS-93 | HS-131 | 20 | 15 | 15 | 2 | M6 | 15 | 13 | 5 | 49 | 36 | 7 | 20 | 24 |
| HS-94 | HS-132 | 20 | 15 | 20 | 2 | M6 | 15 | 13 | 5 | 49 | 36 | 7 | 26 | 28 |
| HS-95 | HS-133 | 25 | 20 | 18 | 2.3 | M6 | 18 | 16 | 6 | 56 | 42 | 7 | 38 | 38 |
| HS-96 | HS-134 | 25 | 20 | 27 | 2.3 | M6 | 18 | 16 | 6 | 56 | 42 | 7 | 40 | 46 |
| HS-97 | HS-135 | 30 | 25 | 18 | 2.3 | M8 | 24 | 20 | 7.2 | 62 | 48 | 7 | 65 | 66 |
| HS-98 | HS-136 | 30 | 25 | 26 | 2.3 | M8 | 24 | 20 | 7.2 | 62 | 48 | 7 | 70 | 72 |
| HS-99 | HS-137 | 35 | 30 | 26 | 2.3 | M8 | 24 | 20 | 7.2 | 69 | 53 | 9 | 86 | 82 |
| HS-100 | HS-138 | 35 | 30 | 35 | 2.3 | M8 | 24 | 20 | 7.2 | 69 | 53 | 9 | 100 | 98 |
| HS-101 | HS-139 | 40 | 34 | 25 | 2.3 | M8 | 30 | 25 | 7.2 | 76 | 60 | 9 | 100 | 100 |
| HS-102 | HS-140 | 40 | 34 | 33 | 2.3 | M8 | 30 | 25 | 7.2 | 76 | 60 | 9 | 110 | 110 |
| HS-103 | HS-141 | 45 | 38 | 34 | 3.2 | M8 | 29 | 25 | 8.1 | 78 | 63 | 9 | 150 | 140 |
| HS-104 | HS-142 | 45 | 38 | 45 | 3.2 | M8 | 29 | 25 | 8.1 | 78 | 63 | 9 | 160 | 160 |
| HS-105 | HS-143 | 50 | 42 | 27 | 3.2 | M10 | 30 | 25 | 9.2 | 93 | 73 | 11.5 | 200 | 200 |
| HS-106 | HS-144 | 50 | 42 | 40 | 3.2 | M10 | 30 | 25 | 9.2 | 93 | 73 | 11.5 | 220 | 228 |
| HS-107 | HS-145 | 55 | 47 | 40 | 3.2 | M10 | 35 | 30 | 9.2 | 98 | 78 | 11.5 | 240 | 240 |
| HS-108 | HS-146 | 55 | 47 | 54 | 3.2 | M10 | 35 | 30 | 9.2 | 98 | 78 | 11.5 | 280 | 268 |
| HS-109 | HS-147 | 60 | 52 | 30 | 3.2 | M12 | 35 | 35 | 11.2 | 104 | 84 | 11.5 | 300 | 268 |
| HS-110 | HS-148 | 60 | 52 | 34 | 3.2 | M12 | 35 | 35 | 11.2 | 104 | 84 | 11.5 | 316 | 304 |
| HS-111 | HS-149 | 60 | 52 | 58 | 3.2 | M12 | 35 | 35 | 11.2 | 104 | 84 | 11.5 | 380 | 380 |
| HS-112 | HS-150 | 65 | 56 | 34 | 3.2 | M12 | 35 | 35 | 11.2 | 116 | 92 | 11.5 | 345 | 400 |
| HS-113 | HS-151 | 65 | 56 | 50 | 3.2 | M12 | 35 | 35 | 11.2 | 116 | 92 | 11.5 | 390 | 375 |
| HS-114 | HS-152 | 75 | 65 | 42 | 4.5 | M12 | 45 | 45 | 12.5 | 126 | 102 | 11.5 | 531 | 546 |
| HS-115 | HS-153 | 75 | 65 | 63 | 4.5 | M12 | 45 | 45 | 12.5 | 126 | 102 | 11.5 | 640 | 640 |
| HS-116 | HS-154 | 80 | 70 | 40 | 4.5 | M12 | 45 | 45 | 12.5 | 136 | 108 | 13.5 | 583 | 620 |
| HS-117 | HS-155 | 80 | 70 | 55 | 4.5 | M12 | 45 | 45 | 12.5 | 136 | 108 | 13.5 | 666 | 733 |
| HS-118 | HS-156 | 90 | 80 | 50 | 4.5 | M12 | 45 | 45 | 12.5 | 141 | 117 | 13.5 | 791 | 800 |
| HS-119 | HS-157 | 90 | 80 | 76 | 4.5 | M12 | 45 | 45 | 12.5 | 141 | 117 | 13.5 | 1000 | 944 |
| HS-120 | HS-158 | 100 | 90 | 50 | 4.5 | M16 | 55 | 55 | 16 | 166 | 134 | 13.5 | 1111 | 1100 |
| HS-121 | HS-159 | 100 | 90 | 70 | 4.5 | M16 | 55 | 55 | 16 | 166 | 134 | 13.5 | 1283 | 1333 |
| HS-122 | HS-160 | 120 | 110 | 60 | 8 | M16 | 51 | 51 | 19.5 | 210 | 160 | 18 | 2200 | 2400 |
| HS-123 | HS-161 | 150 | 140 | 62 | 8 | M20 | 55 | 55 | 22.5 | 250 | 190 | 22 | 4375 | 5250 |